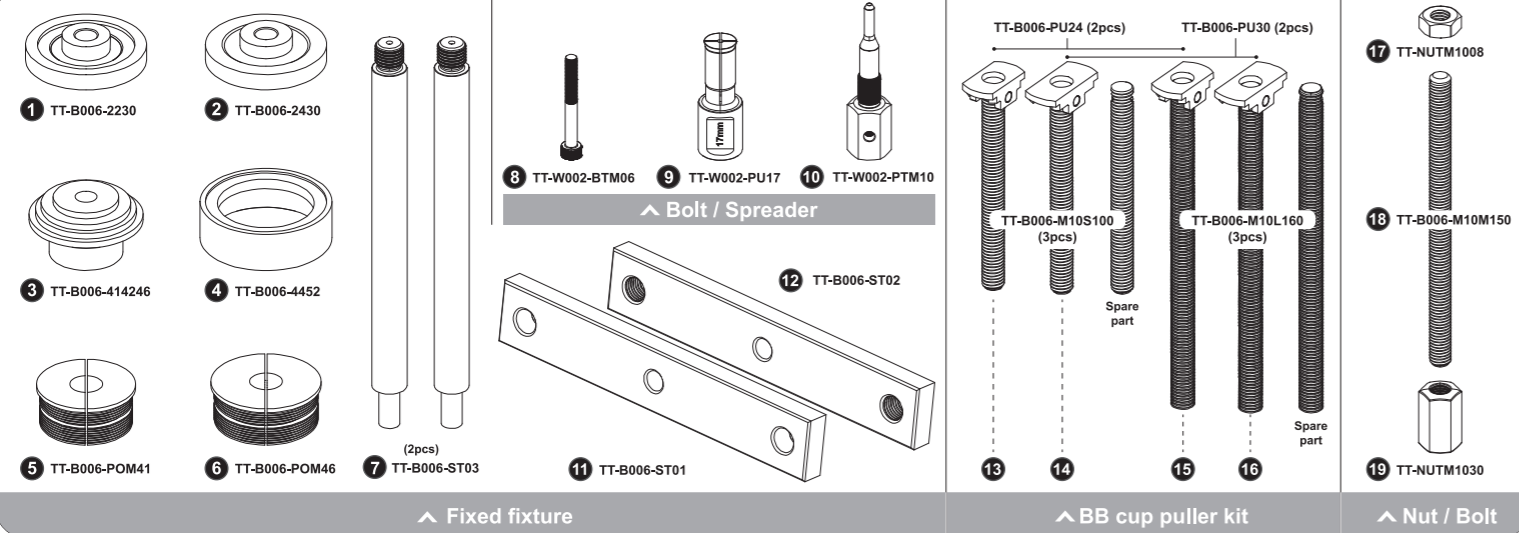


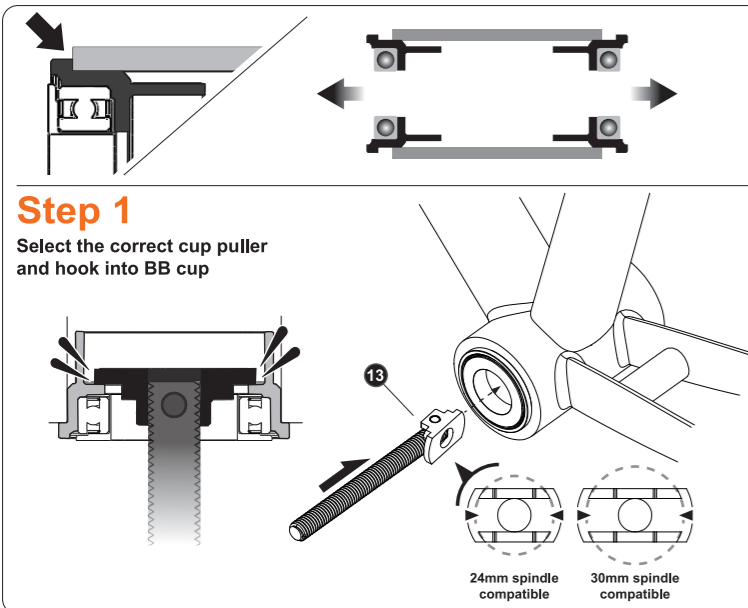


REPLACEMENT TOOL



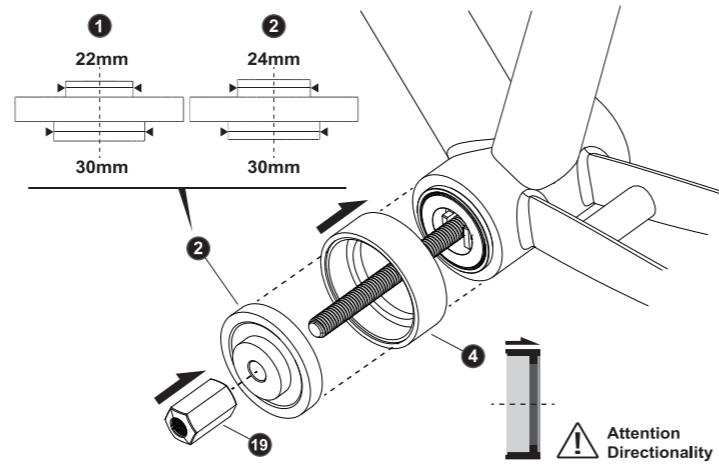
EXTRACTION

Model A BB Sleeve smaller than frame shell



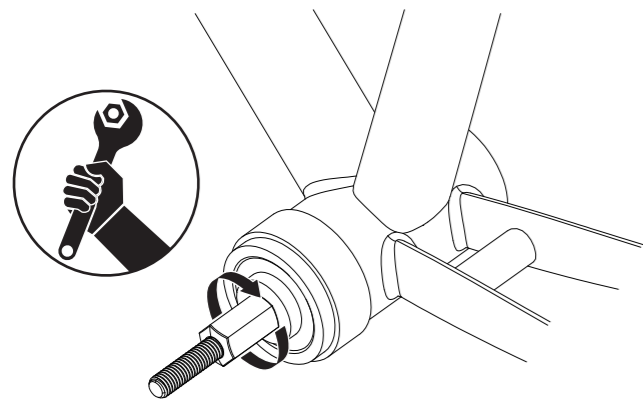
Step 2

Install the correct BB spindle fixed fixture and follow the order



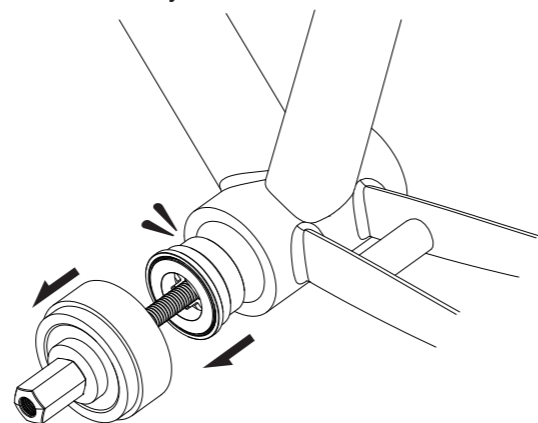
Step 3

Tighten nut to remove BB cup



Step 4

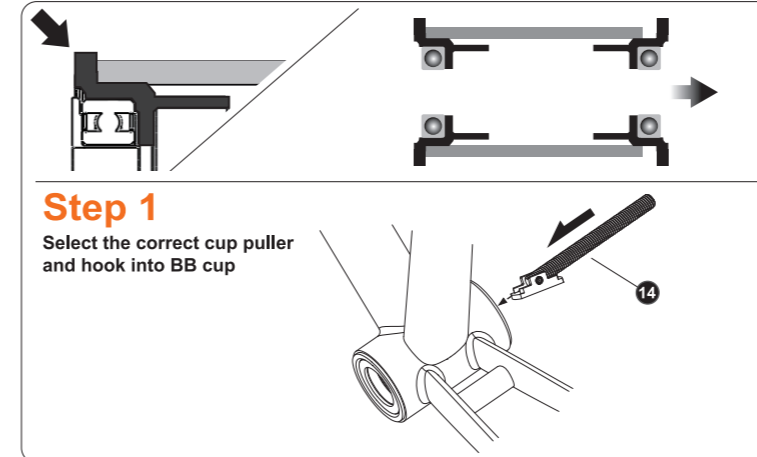
Parts removal
Extraction step complete
» Other side with the same way



EXTRACTION

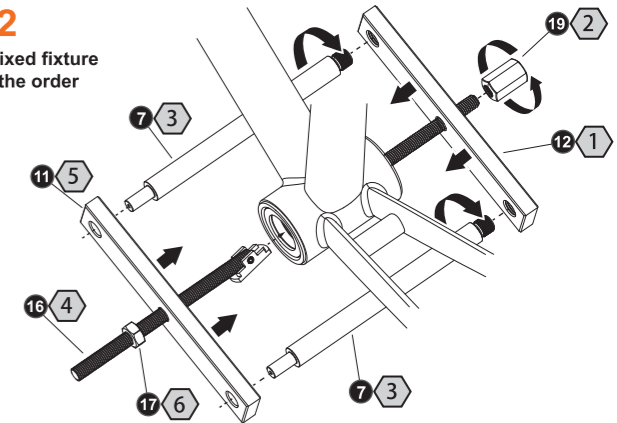
Model B BB Sleeve bigger than frame shell

For installation please follow the step mark



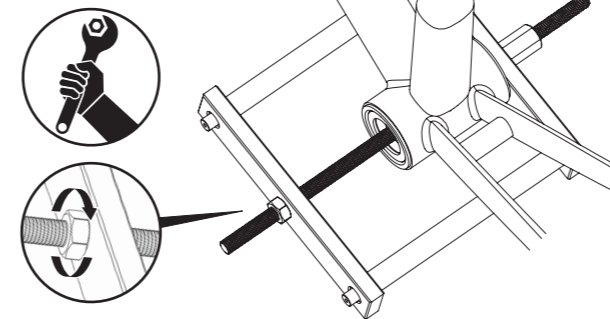
Step 2

Install the fixed fixture and follow the order



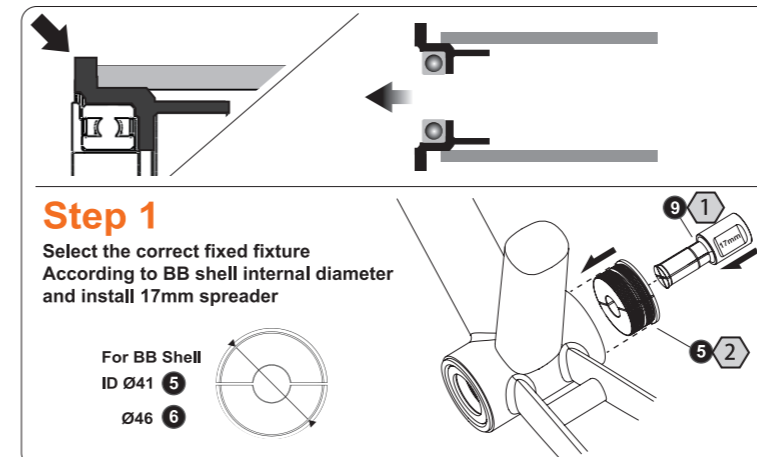
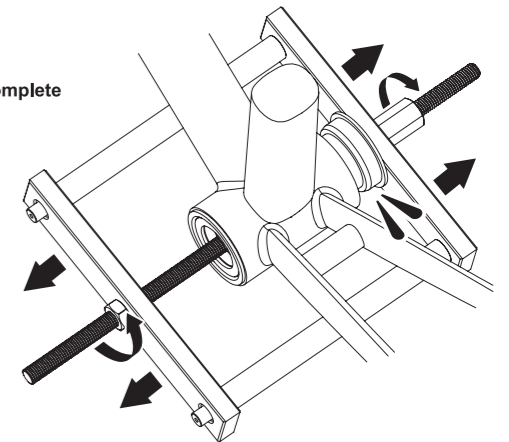
Step 3

Tighten nut to remove BB cup



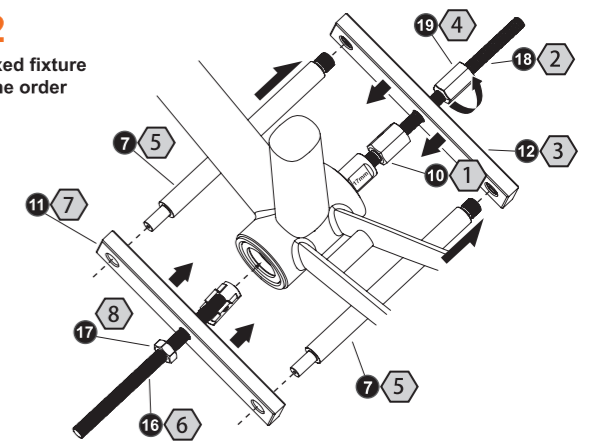
Step 4

Parts removal
Extraction step complete



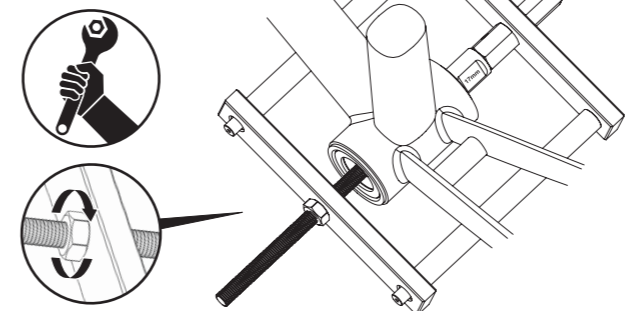
Step 2

Install the fixed fixture and follow the order



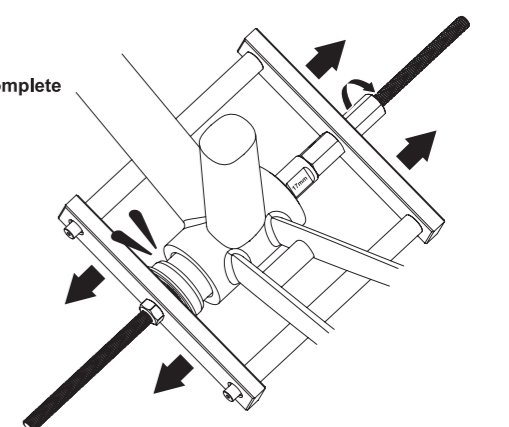
Step 3

Tighten nut to remove BB cup



Step 4

Parts removal
Extraction step complete



INSTALLATION

Use the same steps no matter BB sleeve bigger or smaller than frame shell

Step 1
 Select the correct fixed fixture
 According to BB shell internal diameter
 and BB cup spindle (22,24 or 30mm)
 than install and follow the order

Ø 46 Ø 41 Ø 42

3 Corresponds to BB shell ID

Step 2
 Install nuts on both sides

Step 3
 Tighten nut to press BB cup
 into frame shell (Non-DRIVE SIDE complete)

Step 4
 Remove the fixed fixture (DRIVE SIDE)

Step 5
 Select the correct fixed fixture
 According to BB cup spindle
 than install and follow the order

Step 6
 Tighten nut to press BB cup
 into frame shell (DRIVE SIDE complete)

Step 7
 Parts removal
 Both sides installation step complete